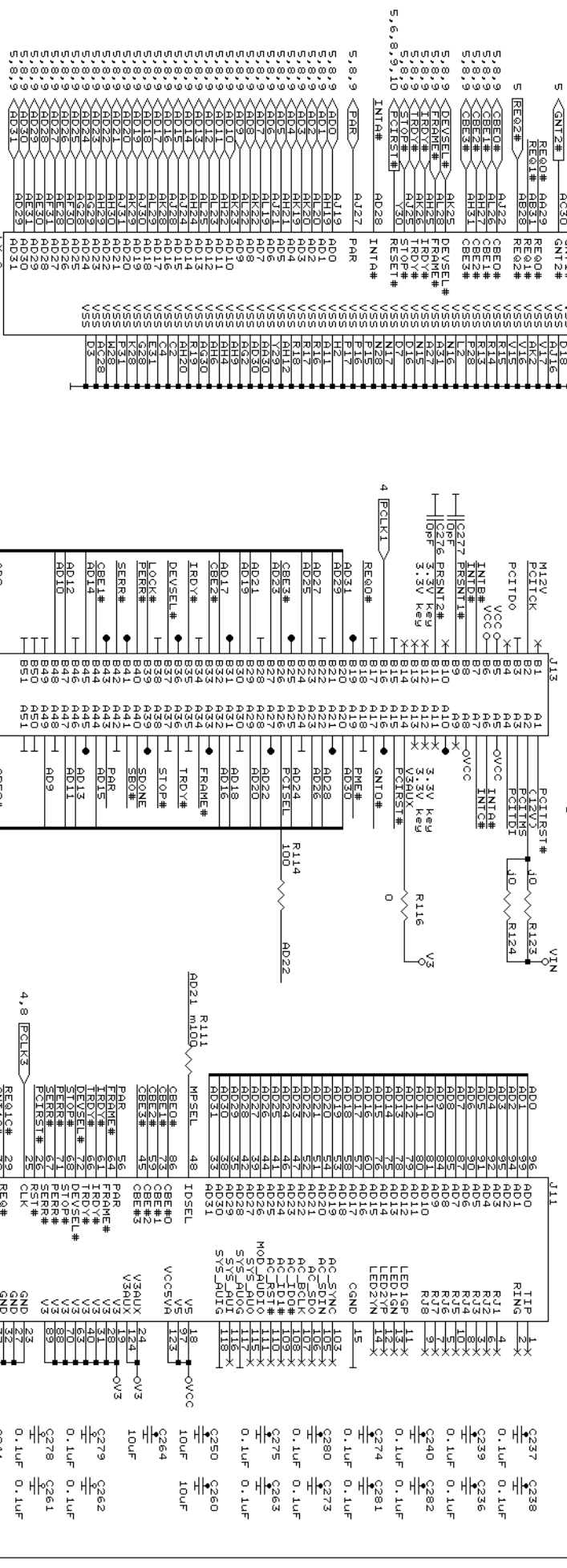
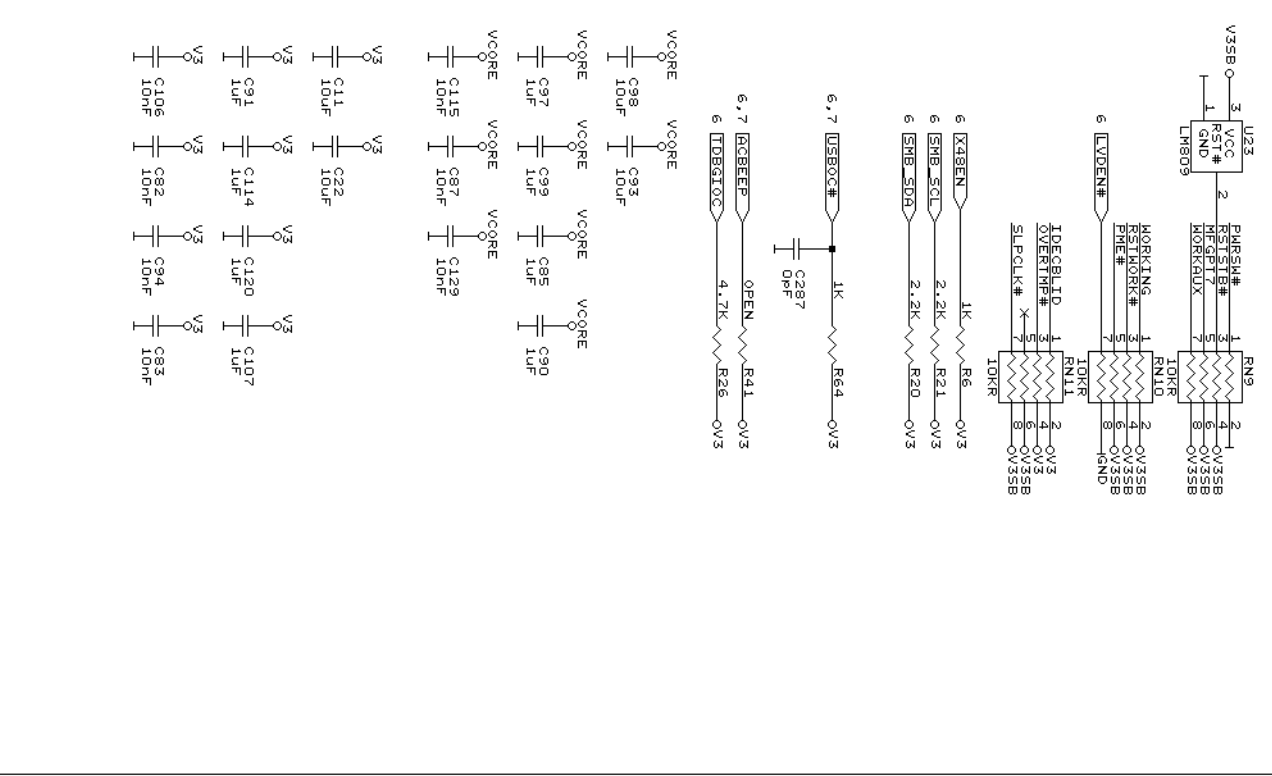
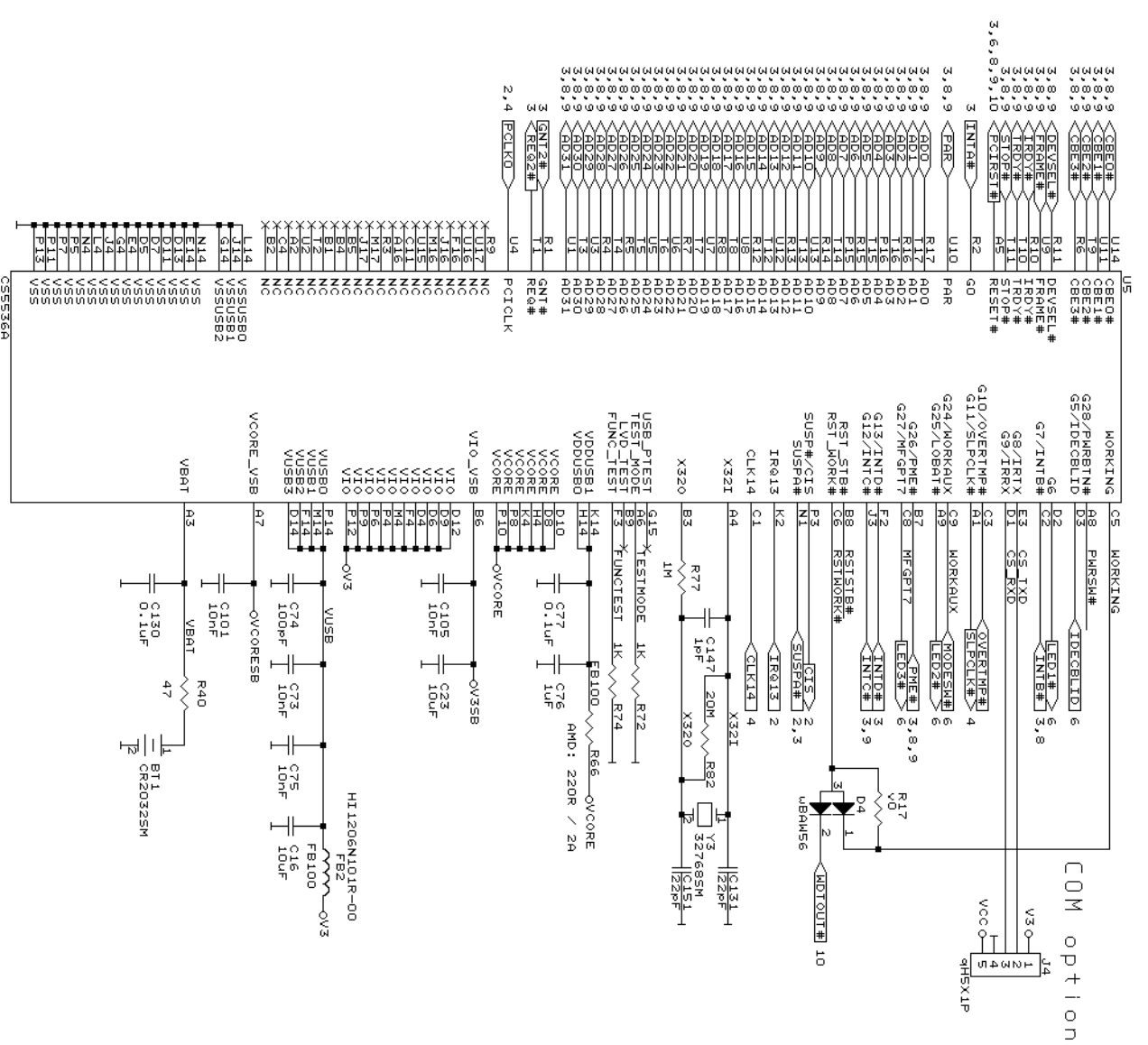
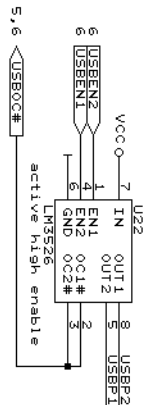


3.3V PCI card edge

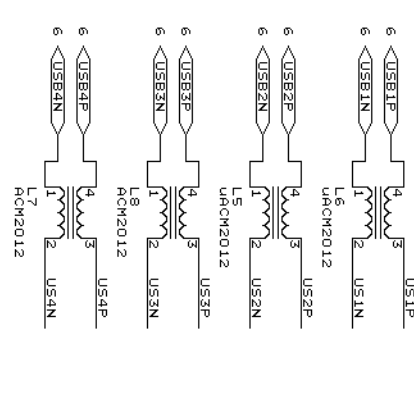




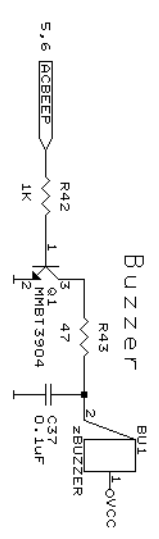
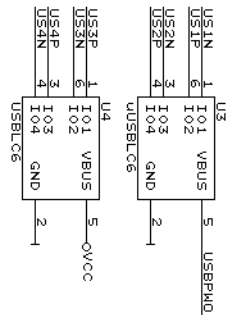
USB fuse



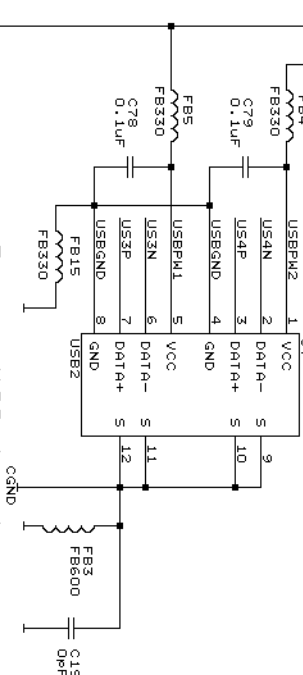
USB filter



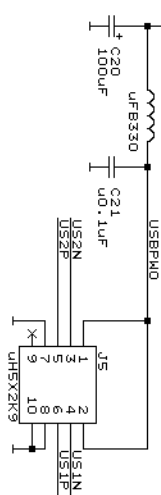
USB ESD protection



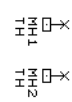
Rear USB jack



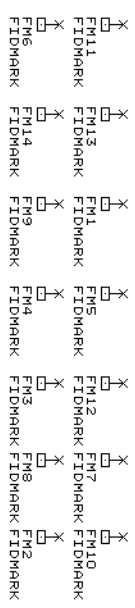
Front USB header



Mounting holes

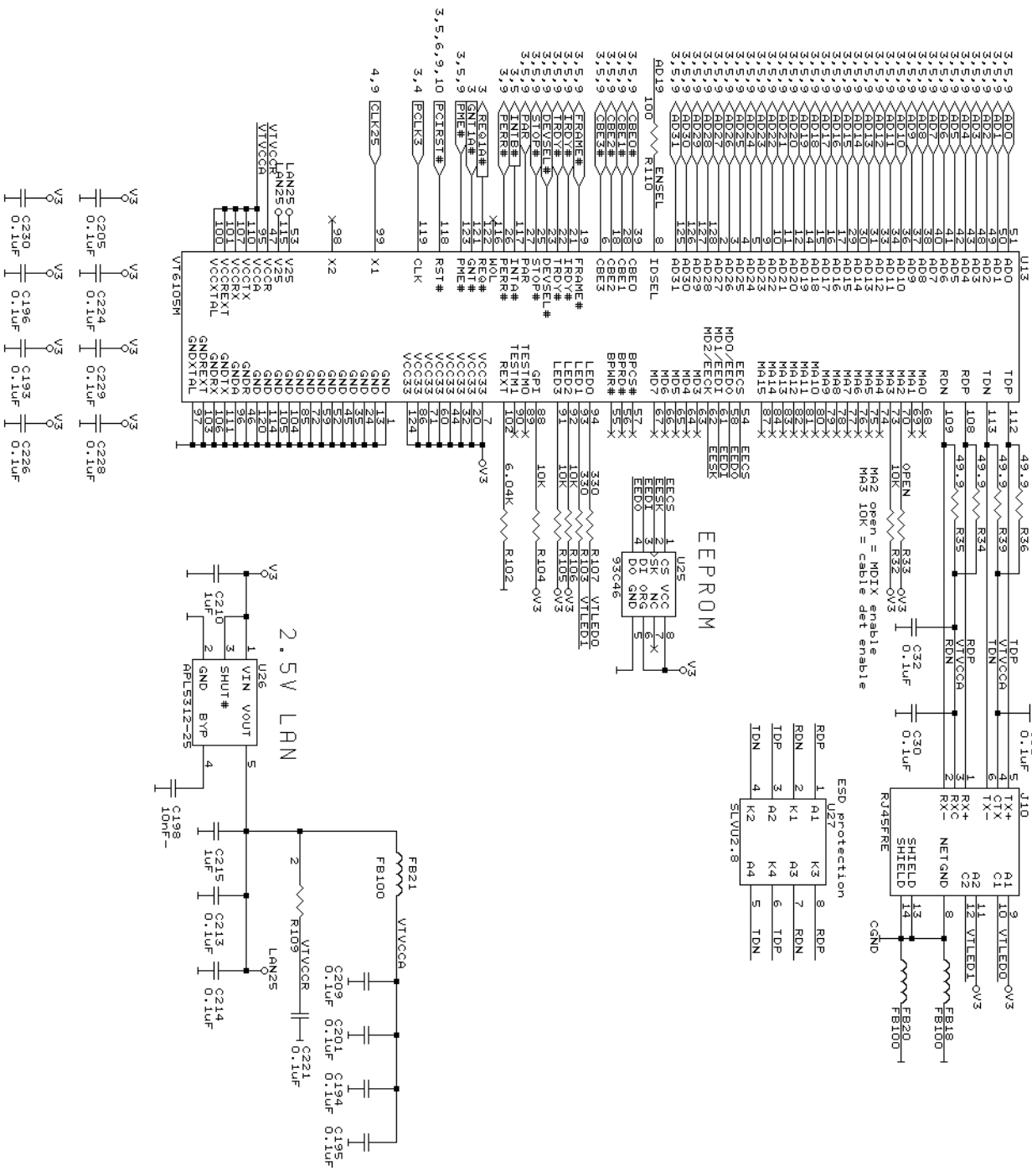


Fiducial marks

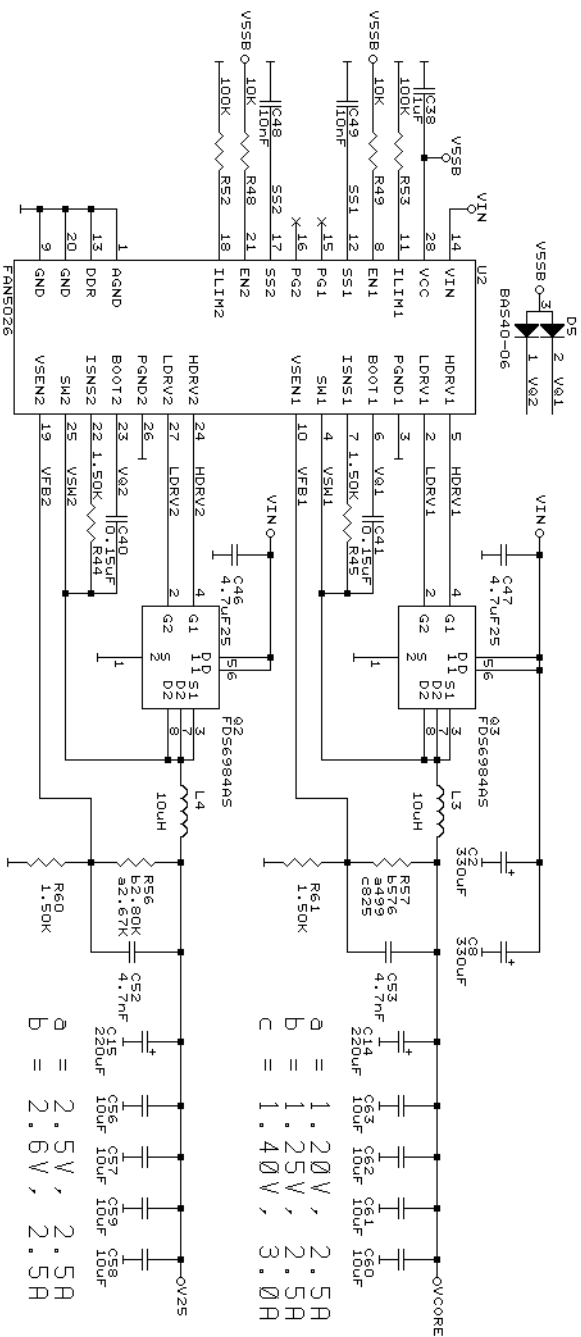


| | |
|-------------------------|-----------------------------|
| CC)2007 PC Engines GmbH | |
| CONFIDENTIAL | |
| Title USB, front panel | |
| Size | Document Number ALIX |
| B | REV 4B |
| Date: | July 29, 2009 Sheet 7 of 12 |

VT6105M LAN1



VCORE, V25 regulator

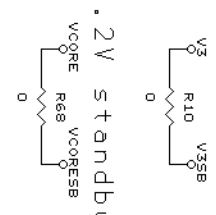


a = 1.20V, 2.5A
 b = 1.25V, 2.5A
 c = 1.40V, 3.0A

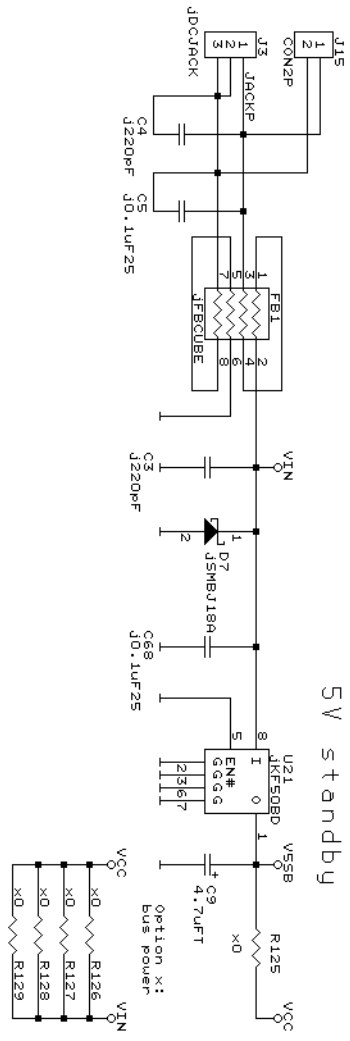
a = 2.5V, 2.5A
 b = 2.6V, 2.5A

3.3V standby

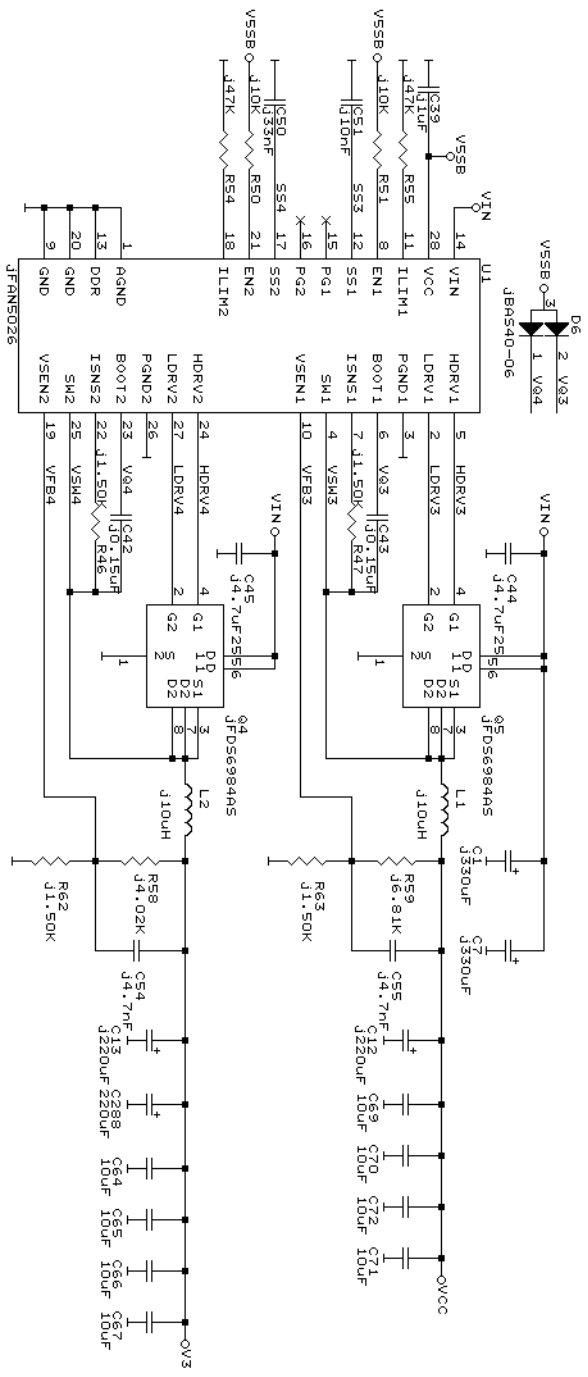
1.2V standby



DC Jack +12V



VCC, V3 regulator



| | |
|-------------------------|------------------------------|
| CC)2007 PC Engines GmbH | |
| CONFIDENTIAL | |
| Title | Power supply |
| Size Document Number | ALIX |
| REV | 48 |
| Date: | July 29, 2009 Sheet 12 of 12 |